

RECEPTION AREA

RECEPTION DESK WITH LIGHT 4TH Floor
LT-01



www.wood-styles.com

Copyright of designs shown herein is retained by this office. Authority is required for any reproduction. © Copyright Wood-styles Ltd.

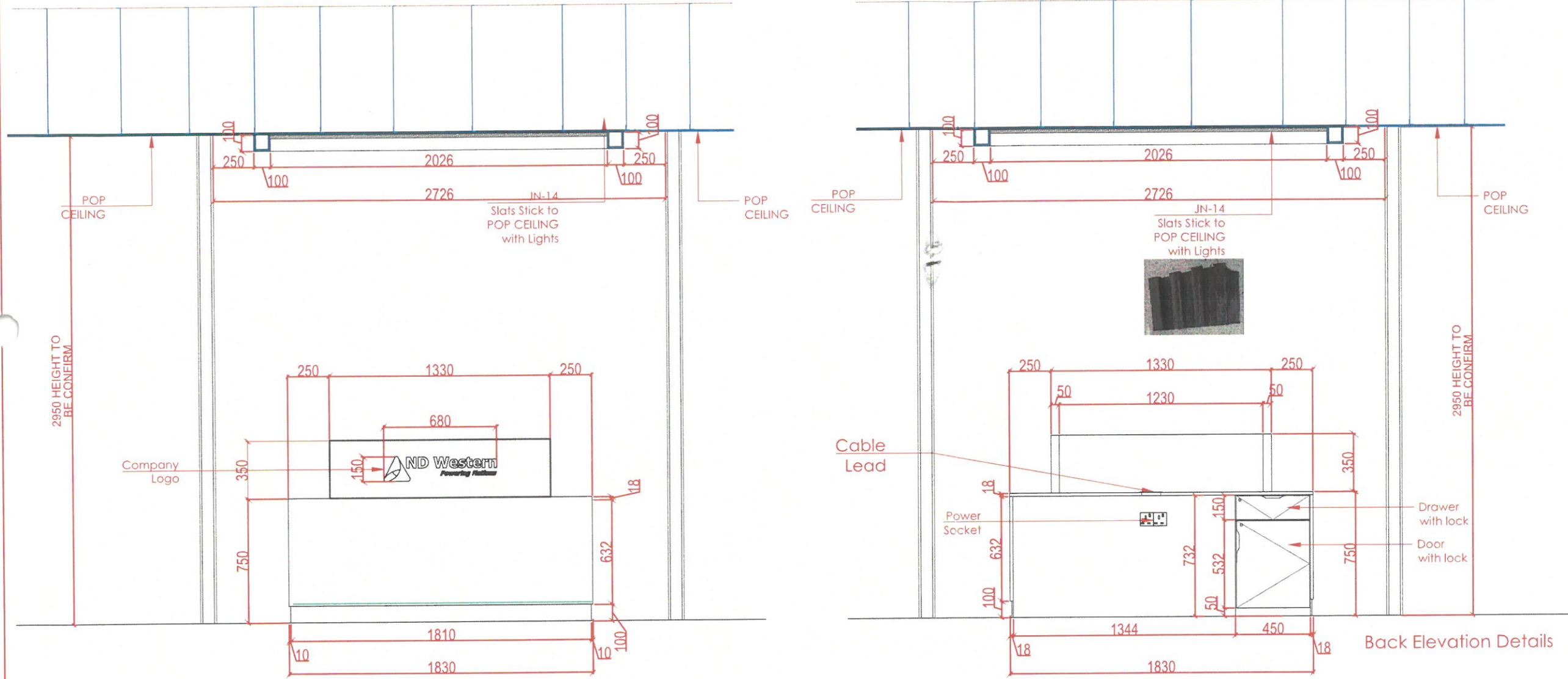
Nigeria, Lagos +234 80 9037 9888
Email: info@wood-styles.com

Project



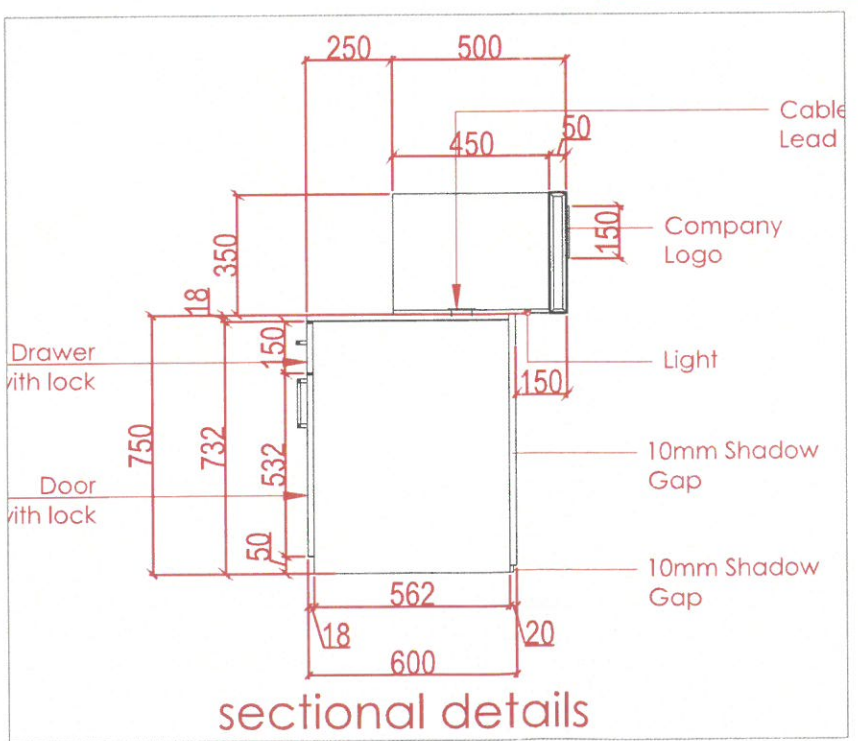
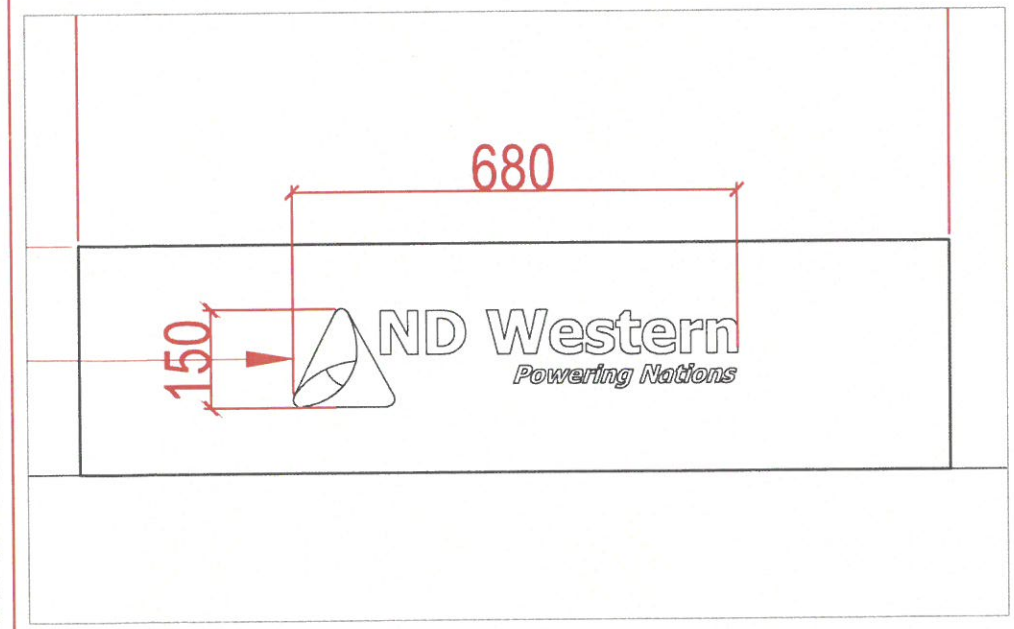
Owner

Date Description
DSD-V1-ID-17/11/2024 - REV1
DSD-V1-ID-27/11/2025 - REV2



Front Elevation Details

Back Elevation Details



sectional details

FINISHES

LT-01

Walter Smith Cable mgmt - 1 pc
Handles - 2 pcs
Locks - 2 pcs
Drawer rail 40 cm - 1 pc
Company logo
LED LIGHT



FOR APPROVAL

Project No. : ---
Scale : N/A
Drawn by : OBJ
Checked : OBJ
Cad File : CAD_FILE

Sheet title
4TH FLOOR
RECEPTION AREA
RECEPTION DESK WITH LIGHT

Floor Plan / Elevation /Sections

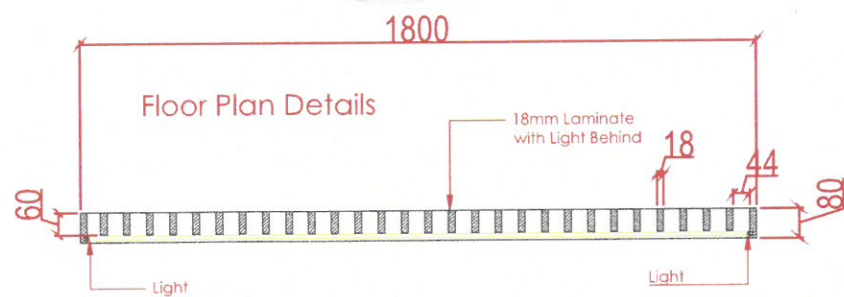
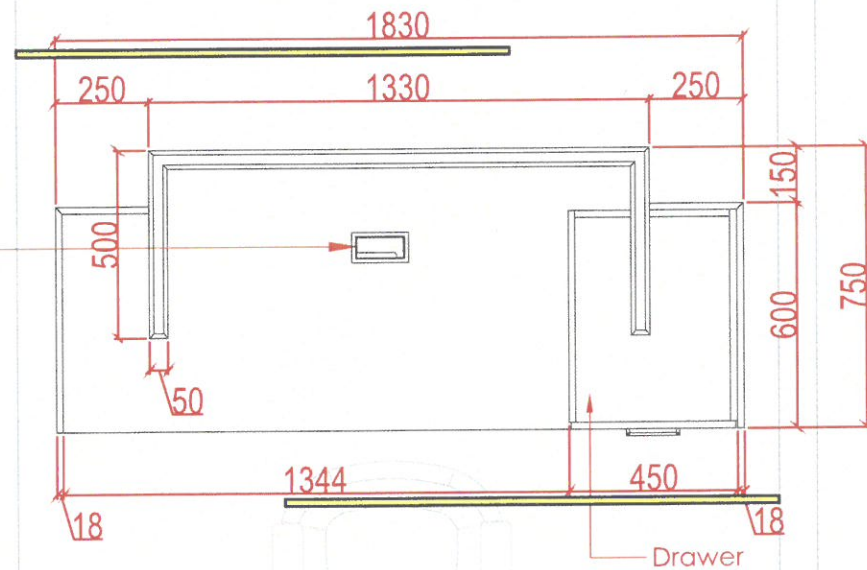
Dwg No. WS-DS-SD-ND-028 No. SHEET 3



FOR APPROVAL

Reception Area

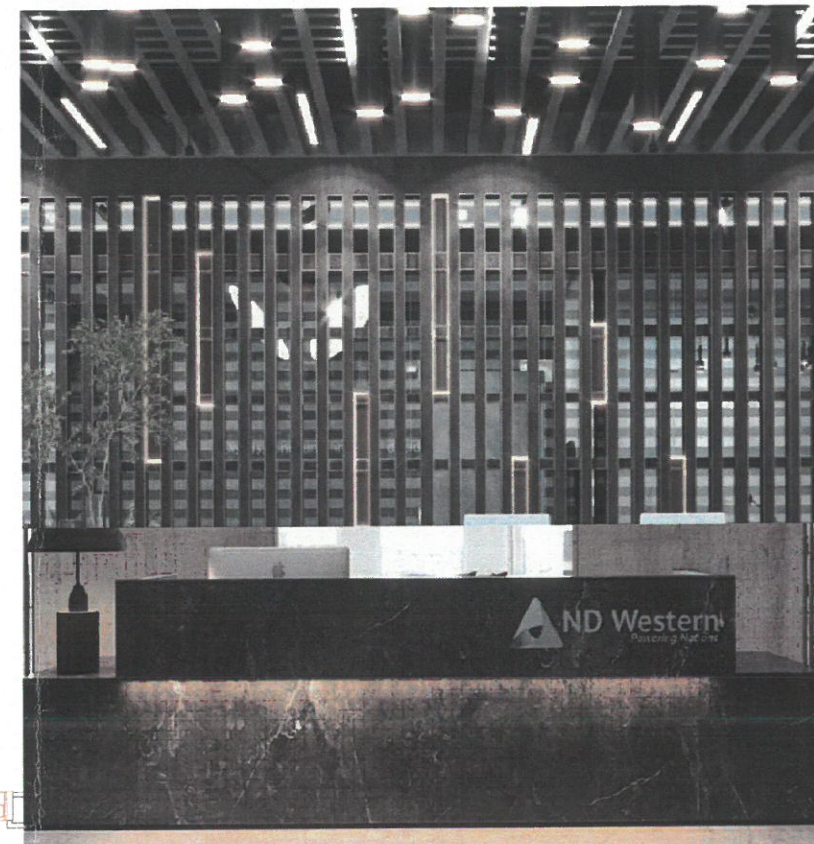
Floor Plan Details



RECEPTION AREA

RECEPTION DESK WITH RECEPTION WOODEN BACK WALL WITH LIGHT

4TH Floor



FINISHES

LT-01

